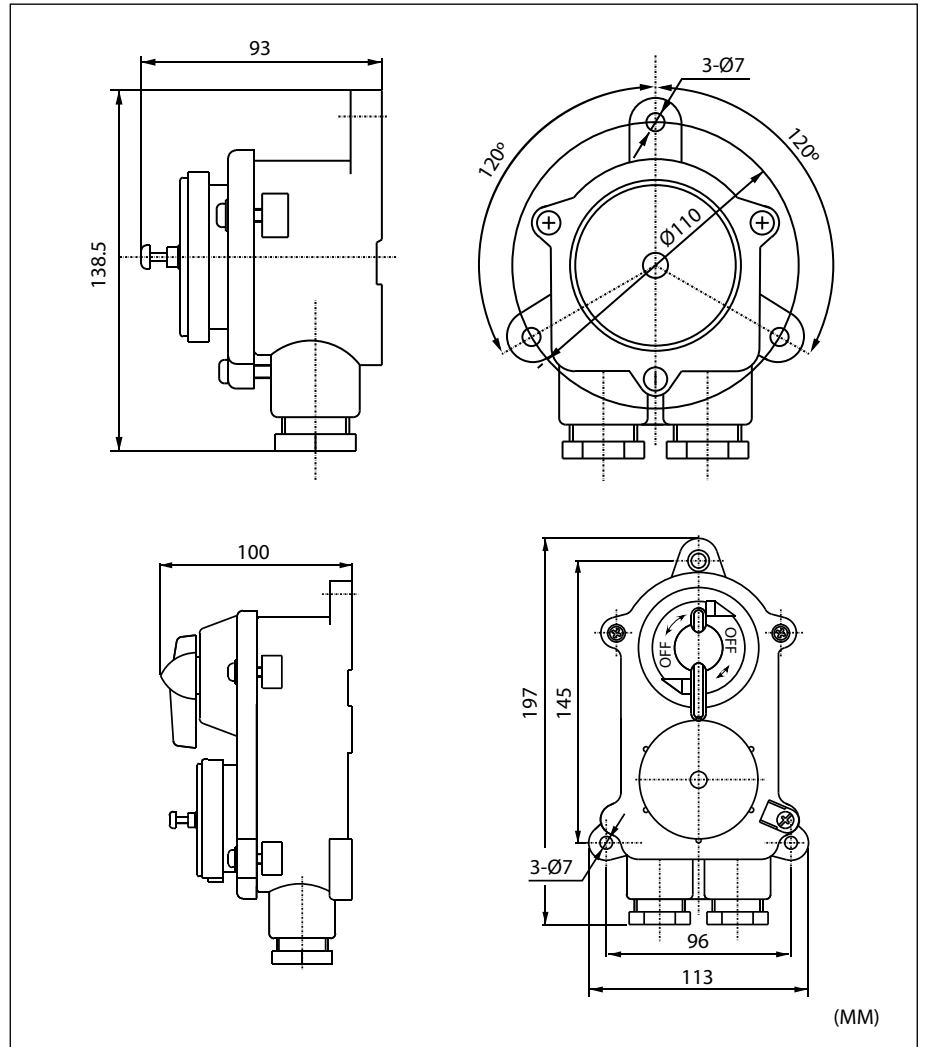


# MARINE SOCKET, SOCKET WITH SWITCH



Model	Material	IP Protection	Standard	Voltage	Current
Z-1M	Synthetic Resin	IP 56	JIS 8832, 8833	250 V 2P + E	20 A
Z-M	Synthetic Resin	IP 56	JIS 8832, 8833	24 V 2P	10 A
KZ-S2MR	Synthetic Resin	IP 56	JIS 8832, 8834	250 V 2P + E	10 A