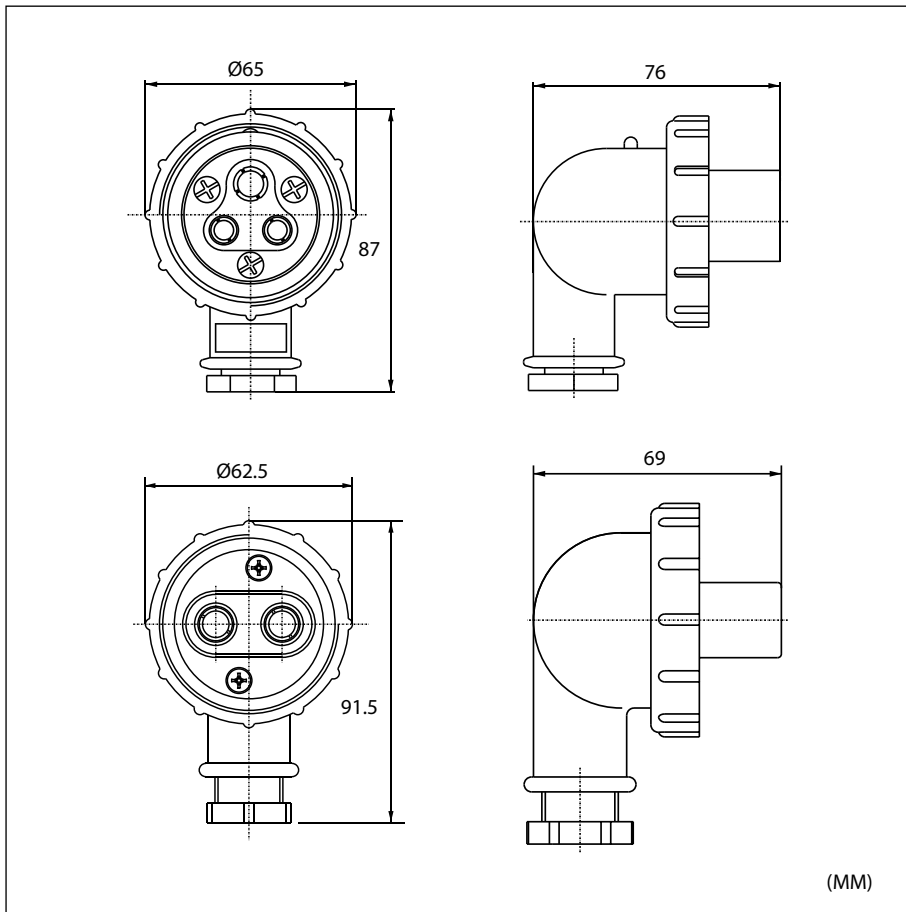


# MARINE WATERTIGHT PLUG



Model	Material	IP Protection	Standard	Voltage	Current
T-1MB	Synthetic Resin	IP 56	JIS 8832, 8833	250 V	20 A
T-MB	Synthetic Resin	IP 56	JIS 8832, 8833	24 V	10 A