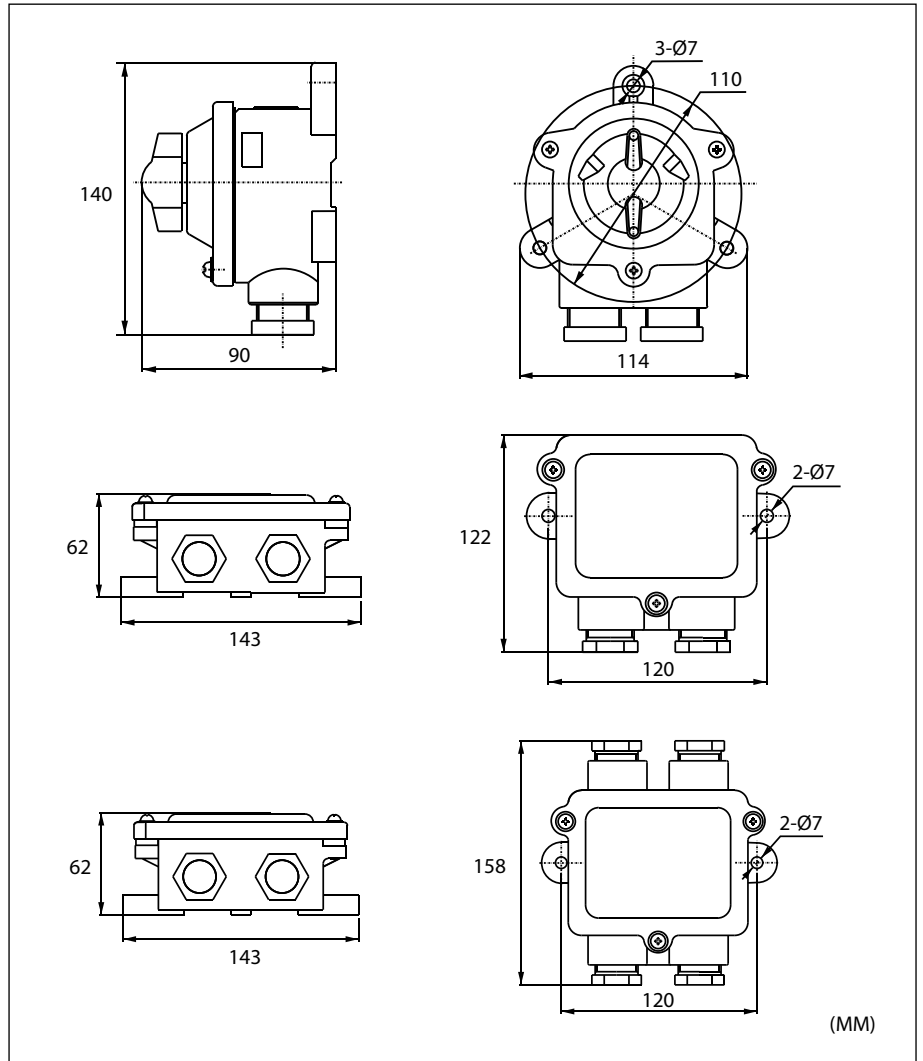


MARINE WATERTIGHT JUNCTION BOX AND SWITCH



Model	Material	IP Protection	Standard	Voltage	Current
K-2MR	Synthetic Resin	IP 56	JIS 8832, 8833	250 V	10 A
J-1M	Synthetic Resin	IP 56	JIS 8832, 8833	250 V	20 A
J-2M	Synthetic Resin	IP 56	JIS 8832, 8834	250V 2P + E	20 A