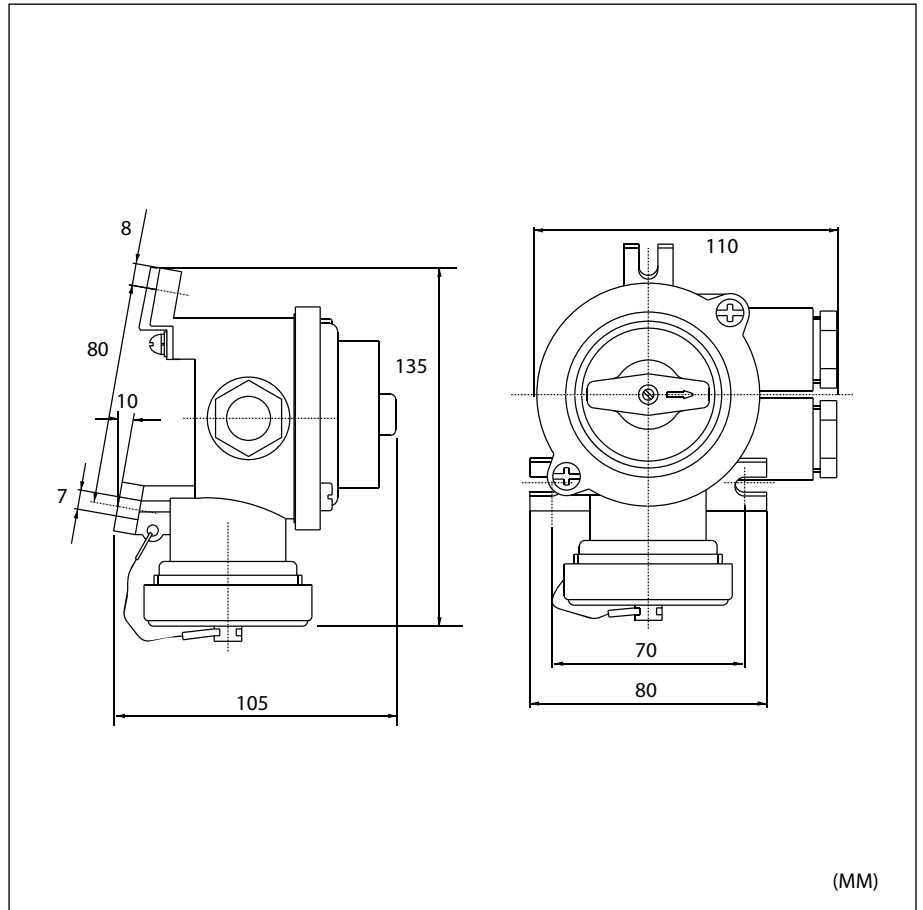


250V 10A/16A MARINE SOCKET WITH SWITCH



(MM)

Symbol	Model	Material	IP Protection	Standard	Weight
=O	1144/2	Brass	IP 56	DIN 89263	1.80 kg
O=	1144/2/R	Brass	IP 56	DIN 89263	1.80 kg
-O	1144/FS	Nylon	IP 56	DIN 89263	0.35 kg
O-	1144/R/FS	Nylon	IP 56	DIN 89263	0.35 kg
-O-	1144/D/FS	Nylon	IP 56	DIN 89263	0.37 kg
=O	1144/2/FS	Nylon	IP 56	DIN 89263	0.37 kg
O=	1144/2/R/FS	Nylon	IP 56	DIN 89263	0.37 kg