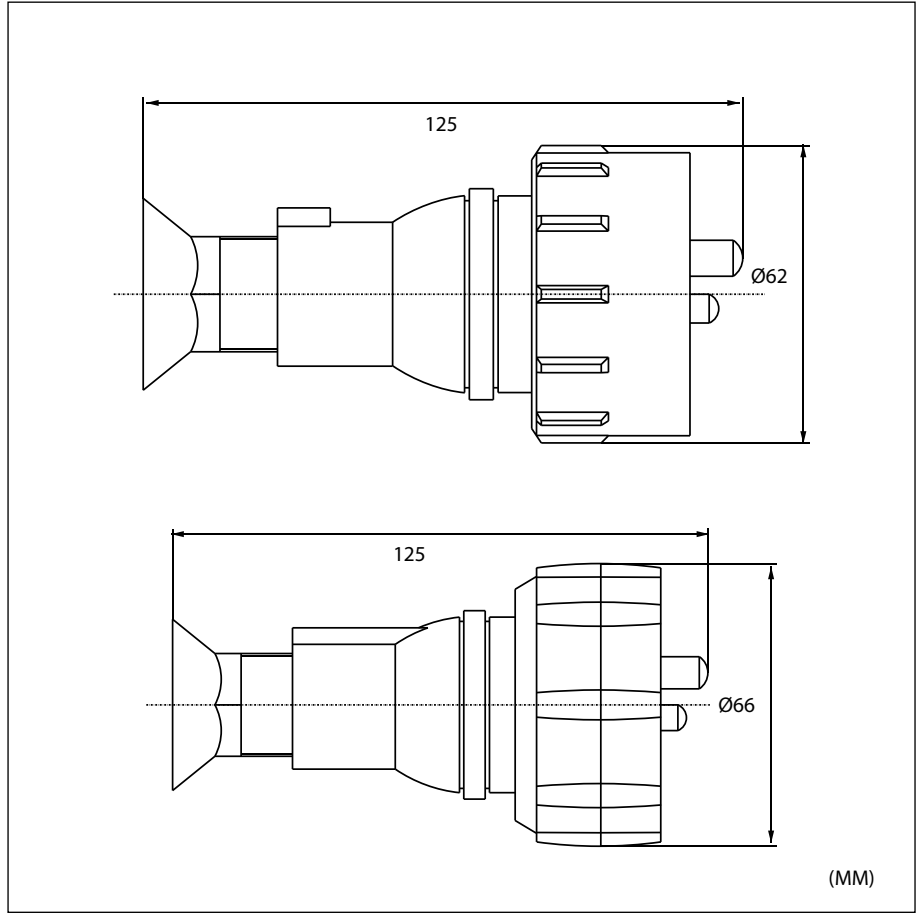


250V 10A/16A MARINE PLUG



Symbol	Model	Material	IP Protection	Standard	Weight
	1142/MS	Brass	IP 56	DIN 89267	0.57 kg
	1142/FS	Nylon	IP 56	DIN 89267	0.20 kg