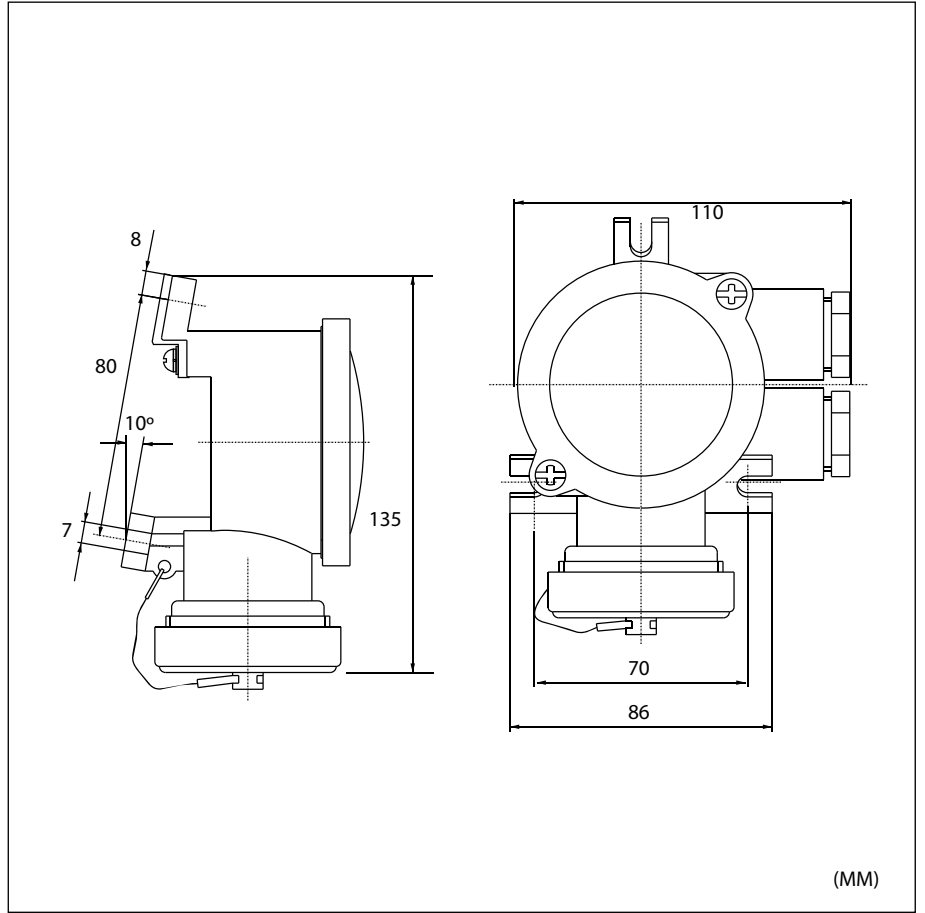


## 250V 10A/16A MARINE SOCKET



(MM)

Symbol	Model	Material	IP Protection	Standard	Weight
=O	1141/2	Brass	IP 56	DIN 89262	1.50 kg
O=	1141/2/R	Brass	IP 56	DIN 89262	1.50 kg
-O	1141/FS	Nylon	IP 56	DIN 89262	0.3 kg
O-	1141/R/FS	Nylon	IP 56	DIN 89262	0.3 kg
=O	1141/2/FS	Nylon	IP 56	DIN 89262	0.31 kg
O=	1141/2/R/FS	Nylon	IP 56	DIN 89262	0.31 kg