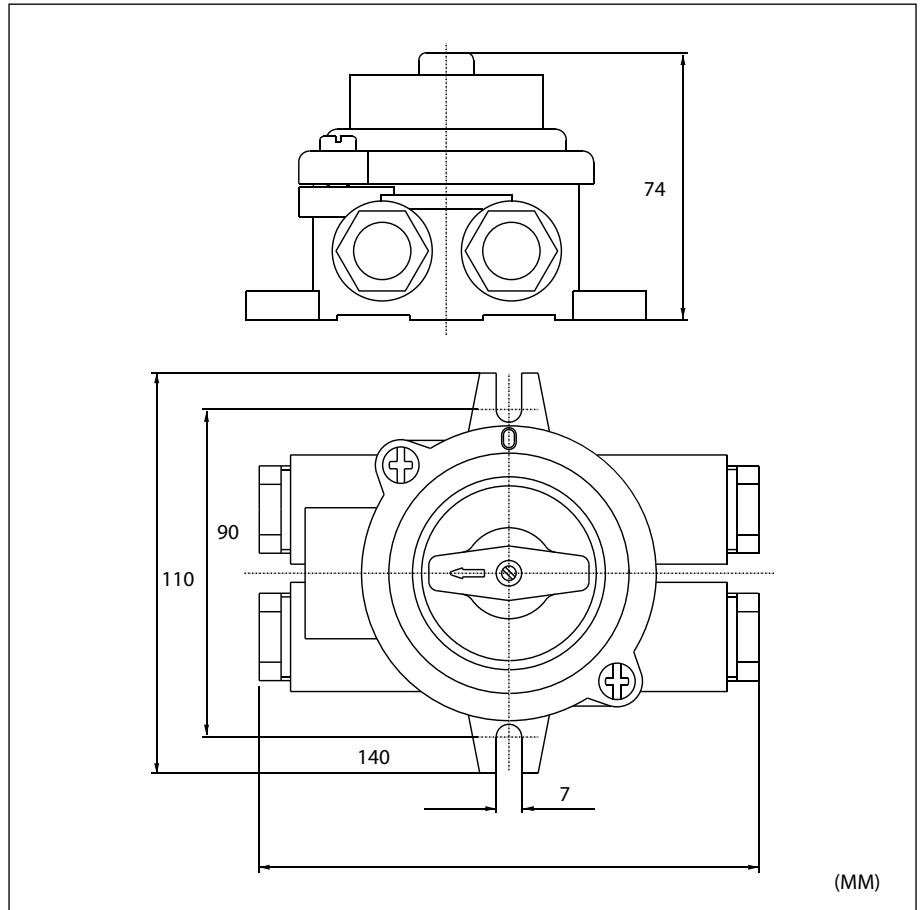


250V 10A/16A MARINE SWITCH



Symbol	Model	Material	IP Protection	Standard	Weight
O-	1133	Brass	IP 56	DIN 89270	0.8 kg
O=	1133/2	Brass	IP 56	DIN 89270	1.00 kg
O-	1133/FS	Nylon	IP 56	DIN 89270	0.22 kg
O=	1133/2/FS	Nylon	IP 56	DIN 89270	0.23 kg